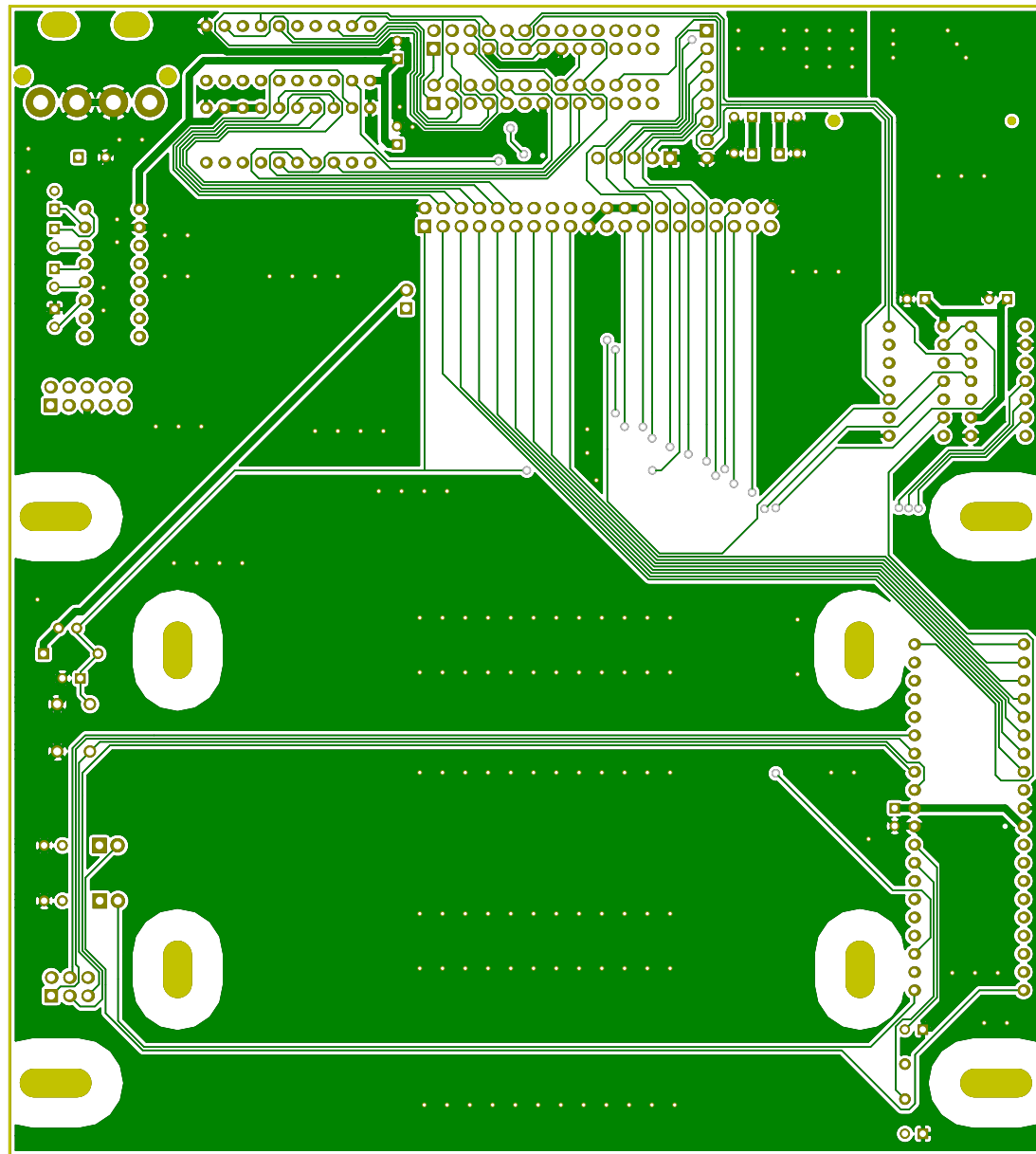
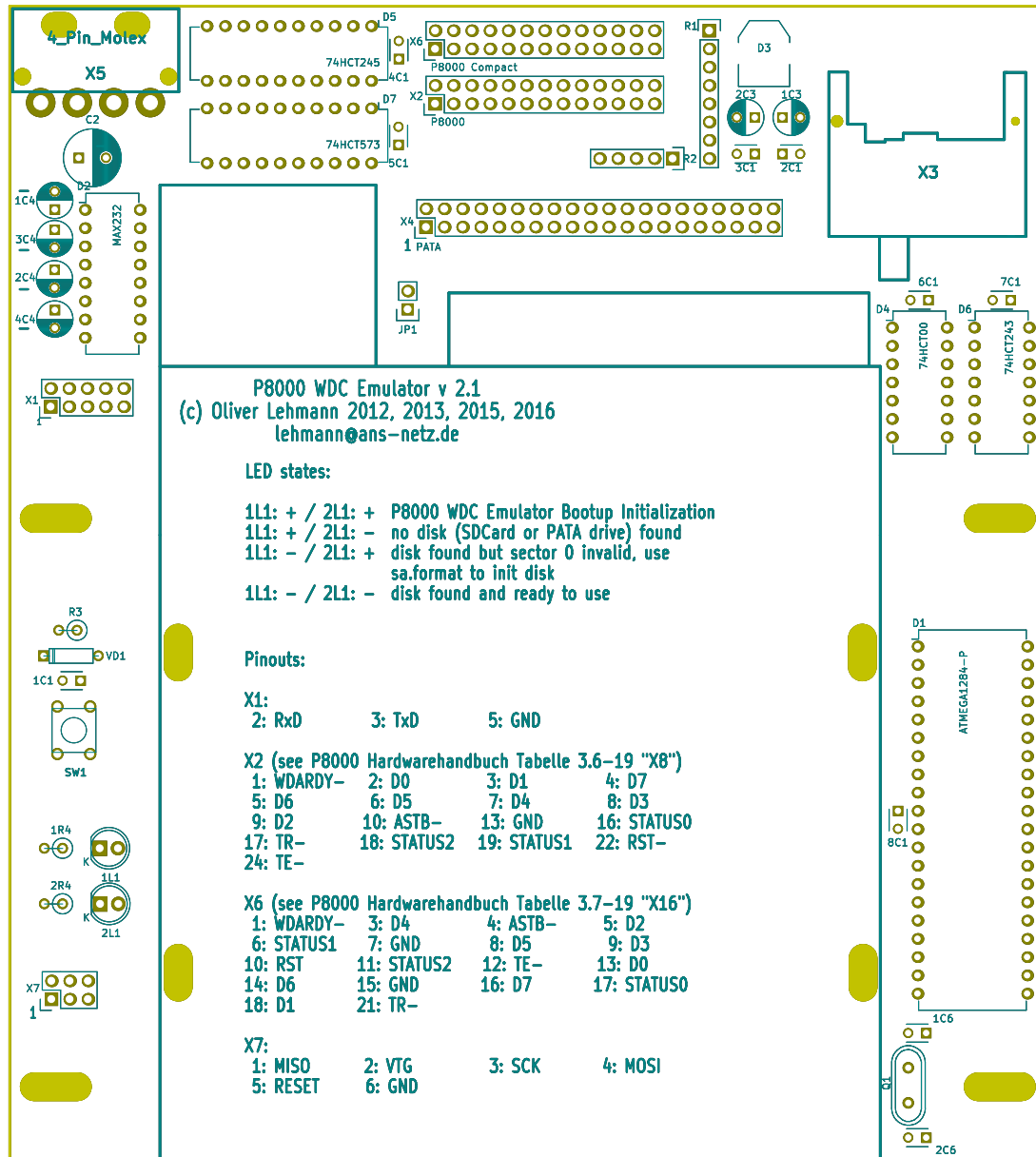


Sheet:	
File: P8000_WDC_Emulator.kicad_pcb	
Title: P8000 WDC Emulator	
Size: A4	Date: 2016-04-24
KiCad E.D.A. kicad 4.0.1-stable	Rev: 2.1
	Id: 1/1



Sheet:	
File: P8000_WDC_Emulator.kicad_pcb	
Title: P8000 WDC Emulator	
Size: A4	Date: 2016-04-24
KiCad E.D.A. kicad 4.0.1-stable	Rev: 2.1
	Id: 1/1



P8000 WDC Emulator v 2.1
 (c) Oliver Lehmann 2012, 2013, 2015, 2016
 lehmann@ans-netz.de

LED states:

- 1L1: + / 2L1: + P8000 WDC Emulator Bootup Initialization
- 1L1: + / 2L1: - no disk (SDCard or PATA drive) found
- 1L1: - / 2L1: + disk found but sector 0 invalid, use sa.format to init disk
- 1L1: - / 2L1: - disk found and ready to use

Pinouts:

X1:
 2: RxD 3: TxD 5: GND

X2 (see P8000 Hardwarehandbuch Tabelle 3.6-19 "X8")
 1: WDARDY- 2: D0 3: D1 4: D7
 5: D6 6: D5 7: D4 8: D3
 9: D2 10: ASTB- 13: GND 16: STATUS0
 17: TR- 18: STATUS2 19: STATUS1 22: RST-

X6 (see P8000 Hardwarehandbuch Tabelle 3.7-19 "X16")
 1: WDARDY- 3: D4 4: ASTB- 5: D2
 6: STATUS1 7: GND 8: D5 9: D3
 10: RST 11: STATUS2 12: TE- 13: D0
 14: D6 15: GND 16: D7 17: STATUS0
 18: D1 21: TR-

X7:
 1: MISO 2: VTG 3: SCK 4: MOSI
 5: RESET 6: GND

Sheet:	
File: P8000_WDC_Emulator.kicad_pcb	
Title: P8000 WDC Emulator	
Size: A4	Date: 2016-04-24
KiCad E.D.A. kicad 4.0.1-stable	Rev: 2.1
	Id: 1/1